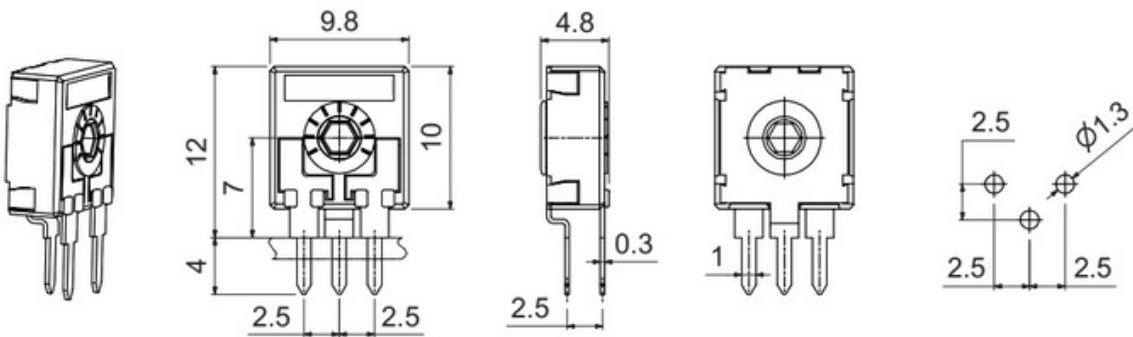


ACP Horizontal Vertical Potentiometers CA9 CE9

Details of Products:



model specification)	
(client's code)	
(Item)	(Specification)
(Appliance property)	
1.1(resistance and tolerance)	B5K±10%

1.2 (Tape)	Linear taper(B)
1.3 (Load Power)	0.15 W(lin) 0.07W(no lin)
1.4 (Cacophony)	47 mV max
1.5(Insulation resistance)	>100MΩ At 100VDC
1.6 (Withstand voltage)	100 VDC
1.7 (Residual resistance)	R1,2<10Ω; R2,3<10Ω
1.8 (Operating temperature)	-21$^{\circ}$C~ +70$^{\circ}$C
2 (Mechanical property)	
2.1 (shape size)	(Drawing)
2.2 (Rotation angle)	235\pm5$^{\circ}$
2.3 (Torque)	0.4~2.0 Ncm.
2.4 (Stop torque)	3 Ncm.
2.5(Welding heart-resistant property)	260$^{\circ}$C/2.5\pm0.5S
2.6 (Rotation life)	10,000cycles