

# Carbon composition film preset potentiometers

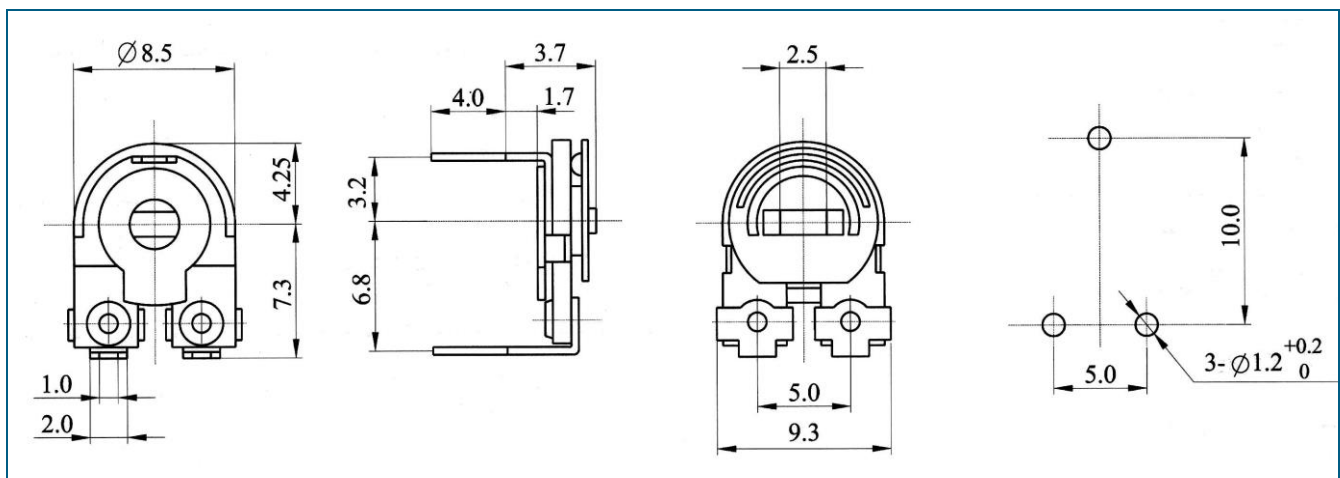


Series 10

Type SR 085-2

Ordering code no.: 00 010 .....

Basic design: laminate base



## Technical data

Rated resistance range	200 Ω - 1 MΩ	Limiting element voltage	100 V
Resistance tolerance	± 30 % *	Electrical travel	240° ± 15°
Law (resistance taper)	lin	Mechanical travel	260° ± 10°
Rated dissipation	0.1 W / 50 °C	Temperature range	-10 °C to +70 °C
Durability	100 cycles		

\* other values on request